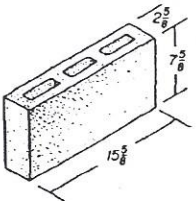
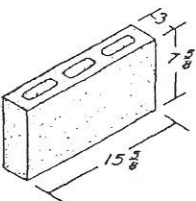
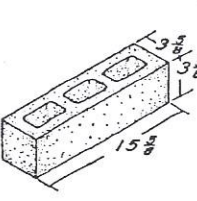
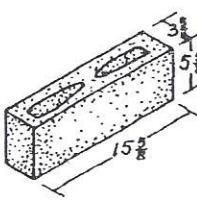
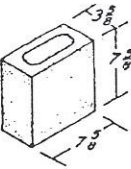
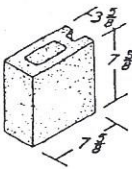
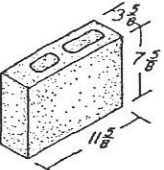
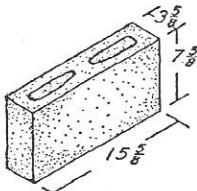
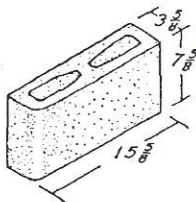
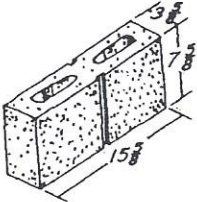
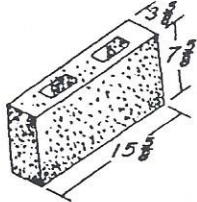
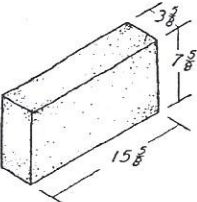
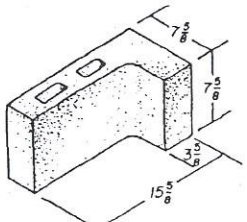
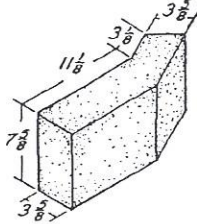
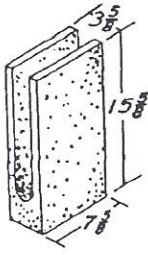
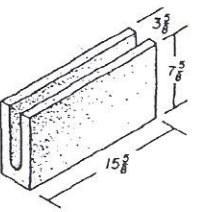
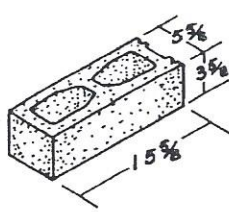
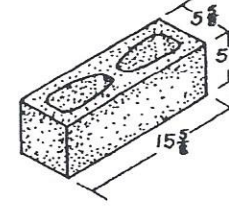
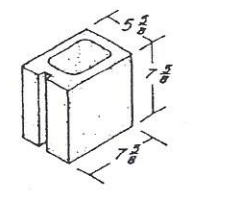
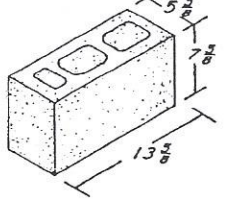
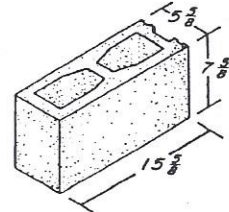
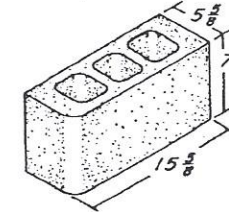
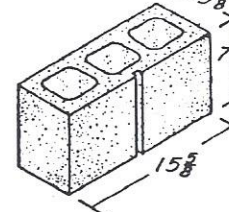
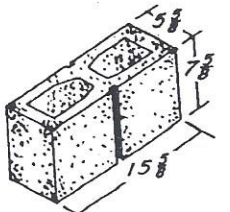
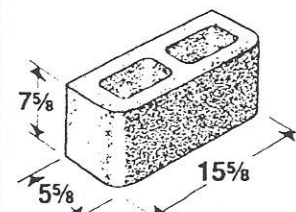
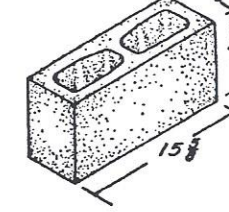
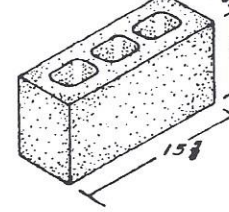
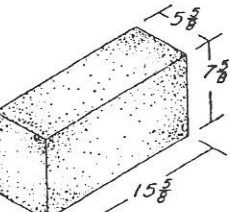
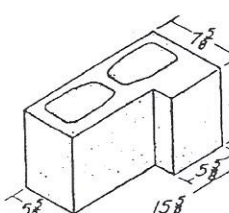
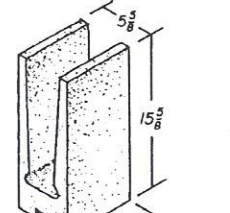
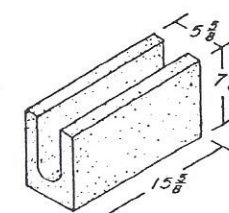
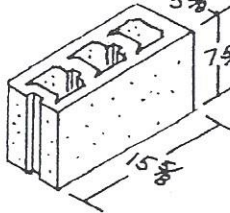
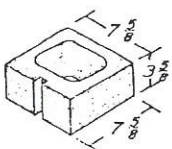
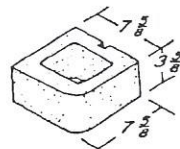
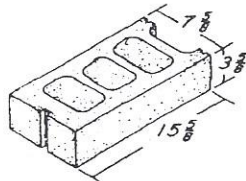
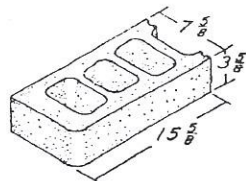
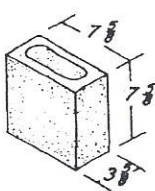
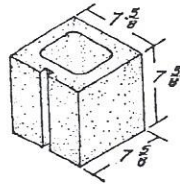
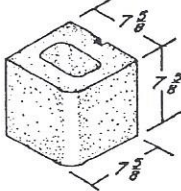
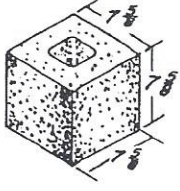
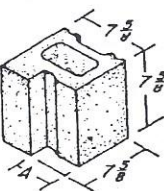
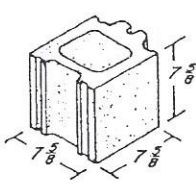
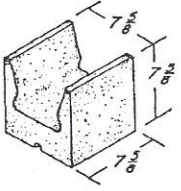
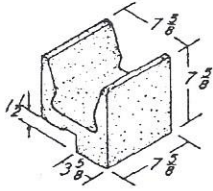
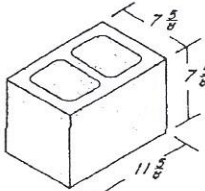
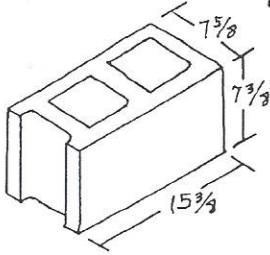
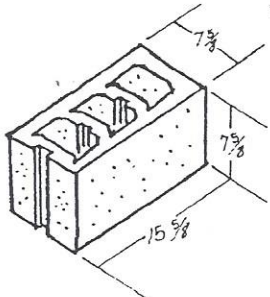
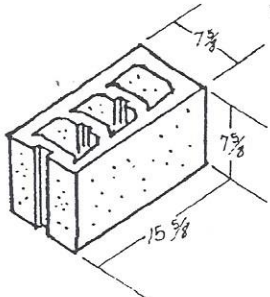


<p style="text-align: right;">3'S</p> <p style="text-align: right;">01</p>  <p style="text-align: center;">3x8x16 PARTITION</p>	<p style="text-align: right;">02</p>  <p style="text-align: center;">3x8x16 PART. (FULL) OPTION: R.C. (DOUBLE OR SINGLE BULL NOSE) SOLID</p>	<p style="text-align: right;">4'S</p> <p style="text-align: right;">03</p>  <p style="text-align: center;">4x4x16 HALF HIGH</p>	<p style="text-align: right;">04</p>  <p style="text-align: center;">4x6x16 OPTION: FULL 6" HIGH</p>
<p style="text-align: right;">05</p>  <p style="text-align: center;">4x8x8 PART. (HALF) OPTION: R.C. (SINGLE OR DOUBLE BULL NOSE)</p>	<p style="text-align: right;">06</p>  <p style="text-align: center;">4x8x8 PART. (HALF) OPTION: R.C. SINGLE OR DOUBLE BULL NOSE</p>	<p style="text-align: right;">07</p>  <p style="text-align: center;">4x8x12 1/4 BLOCK</p>	<p style="text-align: right;">08</p>  <p style="text-align: center;">4x8x16 PARTITION OPTION: SASH 3-CORE</p>
<p style="text-align: right;">4'S</p> <p style="text-align: right;">09</p>  <p style="text-align: center;">4x8x16 R.C. OPTION: 1" RADIUS 2" RADIUS—3-CORE</p>	<p style="text-align: right;">10</p>  <p style="text-align: center;">4x8x16 SCD. 1-SIDE OPTION: SCORED 2-SIDES</p>	<p style="text-align: right;">11</p>  <p style="text-align: center;">4x8x16 75% SLD</p>	<p style="text-align: right;">4'S</p> <p style="text-align: right;">12</p>  <p style="text-align: center;">4x8x16 SOLID</p>
<p style="text-align: right;">13</p>  <p style="text-align: center;">4x8x16 RET. COR. OPTION: R.C.—1" RADIUS</p>	<p style="text-align: right;">14</p>  <p style="text-align: center;">4x8x16 45° ANG. COR.</p>	<p style="text-align: right;">15</p>  <p style="text-align: center;">4x16x8 LINTEL (D)</p>	<p style="text-align: right;">16</p>  <p style="text-align: center;">4x8x16 LINTEL (U) OPTION: * SCORED</p>

<p style="text-align: right;">6'S</p> <p style="text-align: right;">01</p>  <p style="text-align: center;">6x4x16 HALF HIGH</p>	<p style="text-align: right;">02</p>  <p style="text-align: center;">6x6x16 D.C. OPTIONS: FULL 6" HIGH</p>	<p style="text-align: right;">6'S</p> <p style="text-align: right;">03</p>  <p style="text-align: center;">6x8x8 HALF OPTIONS: R.C. 1 SASH GROOVE R.C. DOUBLE BULL NOSE</p>	<p style="text-align: right;">04</p>  <p style="text-align: center;">6x8x14 COR. BL.</p>
<p style="text-align: right;">05</p>  <p style="text-align: center;">6x8x16 SC OPTIONS: 3-CORE SASH GROOVE</p>	<p style="text-align: right;">06</p>  <p style="text-align: center;">6x8x16 RC OPTIONS: DRC's SASH GROOVE 2-CORE</p>	<p style="text-align: right;">07</p>  <p style="text-align: center;">6x8x16 SCORED-1</p>	<p style="text-align: right;">08</p>  <p style="text-align: center;">6x8x16 SCORED-2</p>
<p style="text-align: right;">09</p>  <p style="text-align: center;">6x8x16 DOUBLE FACE BULL NOSE</p>	<p style="text-align: right;">10</p>  <p style="text-align: center;">6x8x16 61% SOLID</p>	<p style="text-align: right;">11</p>  <p style="text-align: center;">6x8x16 75% SOLID</p>	<p style="text-align: right;">12</p>  <p style="text-align: center;">6x8x16 SOLID</p>
<p style="text-align: right;">13</p>  <p style="text-align: center;">6x8x16 RET. COR.</p>	<p style="text-align: right;">14</p>  <p style="text-align: center;">6x16x8 LINTEL (D) OPTION: SASH GROOVE</p>	<p style="text-align: right;">15</p>  <p style="text-align: center;">6x16x8 LINTEL (U) OPTION: SCORED</p>	<p style="text-align: right;">16</p>  <p style="text-align: center;">6x8x16 CONDUIT KNOCKOUT</p>

8'5

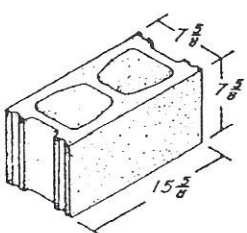
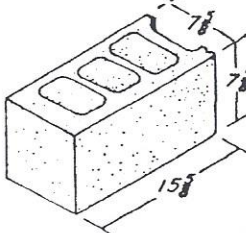
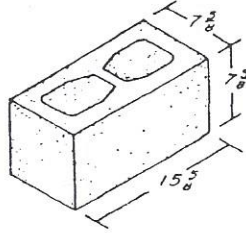
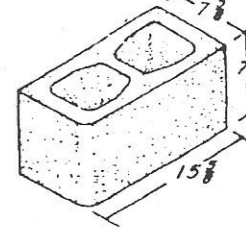
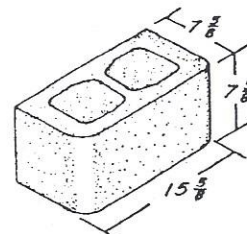
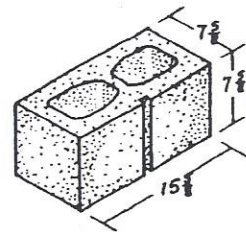
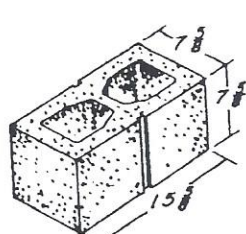
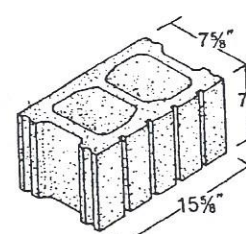
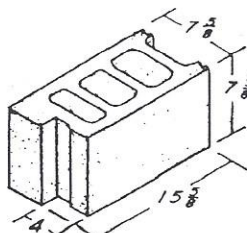
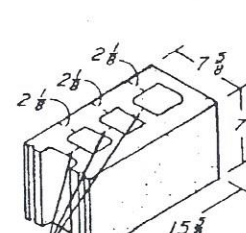
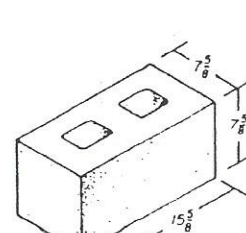
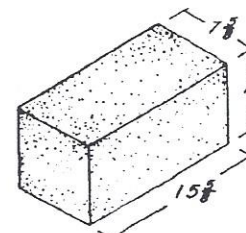
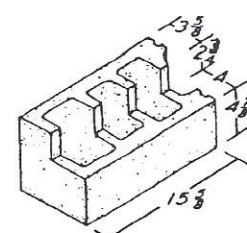
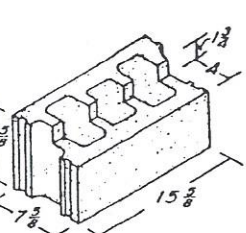
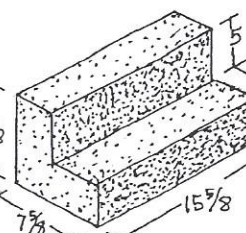
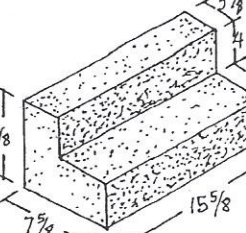
8'5

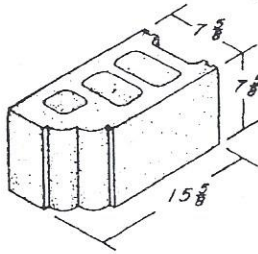
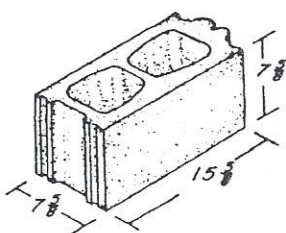
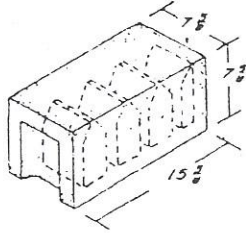
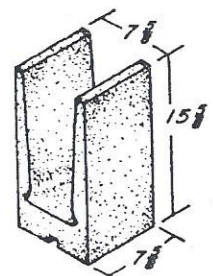
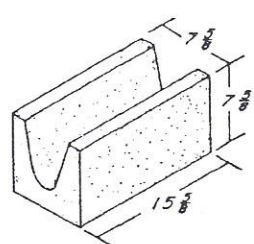
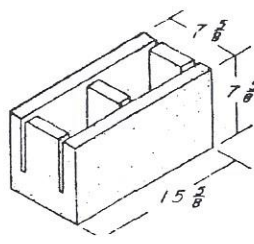
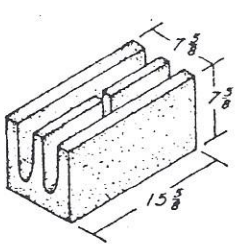
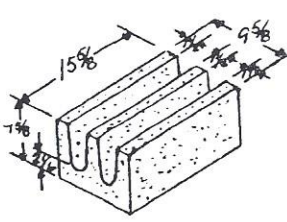
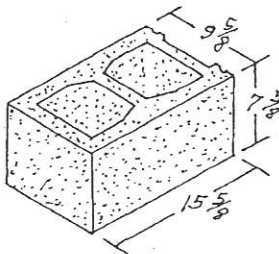
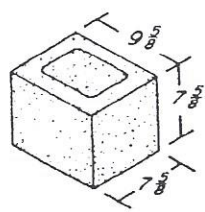
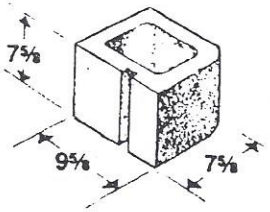
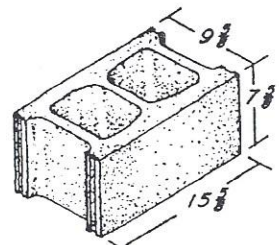
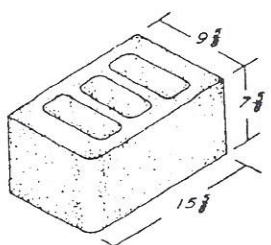
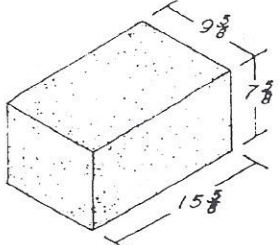
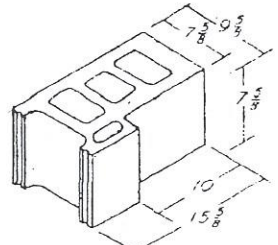
<p>01</p>  <p>8x4x8 HHH</p>	<p>02</p>  <p>8x4x8 HHH R.C. OPTION: SASH</p>	<p>03</p>  <p>8x4x16 HALF HIGH OPTION: S.C. SASH</p>	<p>04</p>  <p>8x4x16 HH/R.C. OPTION: 1" RADIUS 2" RADIUS</p>
<p>05</p>  <p>8x8x4 1/4 BLOCK OPTION: R.C. SASH</p>	<p>06</p>  <p>8x8x8 SASH HALF</p>	<p>07</p>  <p>8x8x8 RC OPTION: DRC 1" RADIUS 2" RADIUS</p>	<p>08</p>  <p>8x8x8 75% SOLID</p>
<p>09</p>  <p>8x8x8 JAMB NOTE: Part of Style "82" Pilaster, see manual, page 44.</p>	<p>10</p>  <p>8x8x8 CON. JNT.</p>	<p>11</p>  <p>8x8x8 LINTEL OPTION: SASH</p>	<p>12</p>  <p>8x8x8 OFFSET LINTEL</p>
<p>13</p>  <p>8x8x12 3/4 BLOCK OPTION: SASH</p>	<p>14</p>  <p>8x8x16 Ground Face Available in 4" 6" 8" 10" 12" plain, scored</p>	<p>15</p>  <p>8x8x16 CONDUIT KNOCKOUT</p>	<p>16</p>  <p>8x8x16 CONDUIT KNOCKOUT</p>

8'S

8'S

CCMA

<p>01</p>  <p>8x8x16 REG. OPTION: 3-CORE SOME PLANTS</p>	<p>02</p>  <p>8x8x16 S.C. OPTION: SASH GROOVE</p>	<p>03</p>  <p>8x8x16 D.C. OPTION: SASH GROOVE</p>	<p>04</p>  <p>8x8x16 R.C. OPTION: 3-CORE SOME PLANTS 1" RADIUS — DRC 2" RADIUS SASH GROOVE</p>
<p>05</p>  <p>8x8x16 DRC OPTION: 1" RADIUS 2" RADIUS</p>	<p>06</p>  <p>8x8x16 SCD 1-SIDE OPTION: SCD. WITH V-GROOVE</p>	<p>07</p>  <p>8x8x16 SCD. 2-SIDES OPTION: SCD. WITH V-GROOVE</p>	<p>08</p>  <p>8x8x16 SCD. 1-SIDE 4 SCORES</p>
<p>09</p>  <p>8x8x16 JAMB NOTE: Part of Style "82" Pilaster, see manual, page VI-10</p>	<p>10</p>  <p>8x8x16 4-HR OPTION: 2-CORE SOME PLANTS</p>	<p>11</p>  <p>8x8x16 — 75% SLD. OPTION: R.C. 2" RADIUS 3-CORE SNG-SCD 1 OR 2 SIDES</p>	<p>12</p>  <p>8x8x16 SOLID</p>
<p>13</p>  <p>8x8x16 REG. HOR.</p>	<p>14</p>  <p>8x8x16 SH. HDR.</p>	<p>15</p>  <p>8x8x16 SOLID HEADER DEEP CUT 5"</p>	<p>16</p>  <p>8x8x16 SOLID HEADER DEEP CUT 4"</p>

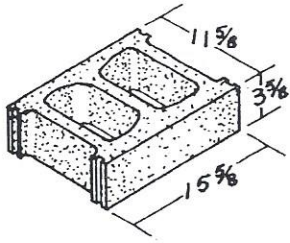
<p>8'S</p> <p>01</p>  <p>8x8x16 RND. JAMB</p>	<p>02</p>  <p>8x8x16 CONTROL JNT.</p>	<p>8'S</p> <p>03</p>  <p>8x8x16 CAP</p>	<p>04</p>
<p>05</p>  <p>8x16x8 LINTEL (D) OPTION: OFFSET 3/8" SASH</p>	<p>06</p>  <p>8x8x16 LINTEL (U)</p>	<p>07</p>  <p>8x8x16 KNOCKOUT L.</p>	<p>08</p>  <p>8x8x16 LINTEL (W)</p>
<p>09</p>  <p>10x8x16 Bond Block</p>	<p>10'S</p> <p>10</p>  <p>10x8x16 SINGLE END OPTION: R.C. SINGLE BULL NOSE</p>	<p>11</p>  <p>10x8x8 HALF</p>	<p>12</p>  <p>10x8x8 HALF SASH SINGLE BULL NOSE</p>
<p>10'S</p> <p>13</p>  <p>10x8x16 REG. OPTION: 3-CORE</p>	<p>14</p>  <p>10x8x16 R.C. OPTION: 2-CORE</p>	<p>10'S</p> <p>15</p>  <p>10x8x16 SOLID</p>	<p>16</p>  <p>10x8x16 RET. COR</p>

12'S

12'S

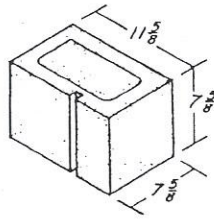
CCMA

01



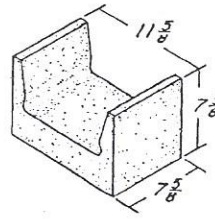
12x4x16 HALF HIGH

02



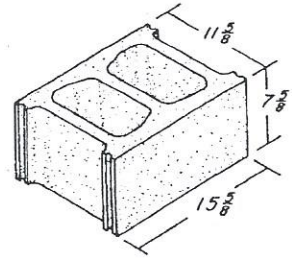
12x8x8 HALF
 OPTIONS:
 SASH
 *75 SOLID
 † 4-HR
 ‡ JAMB

03



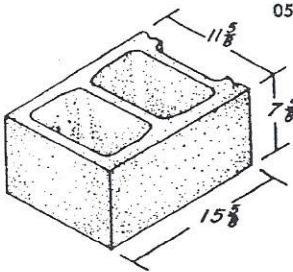
12x8x8 LINTEL (HALF)

04



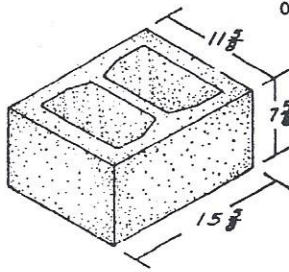
12x8x16 - REG.
 OPTION:
 3-CORE SOME PLANTS

05



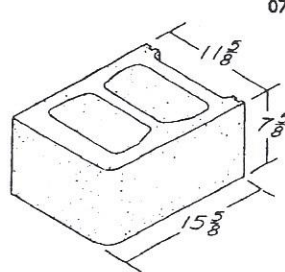
12x8x16 S.C.
 OPTION:
 SASH

06



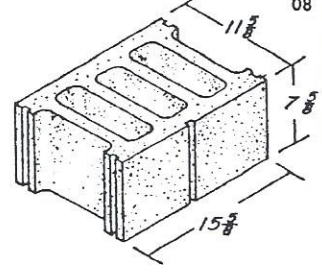
12x8x16 D.C.

07



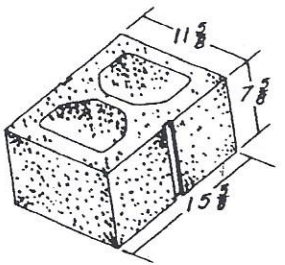
12x8x16 R.C.

08



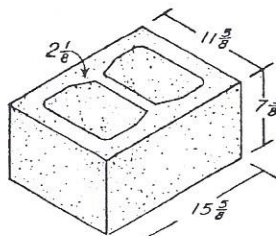
12x8x16 SCD. 1-SIDE

09



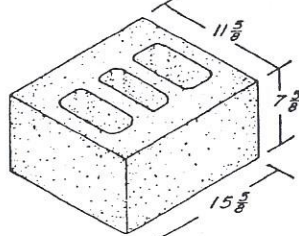
12x8x16 SCD. 2-SIDES

10



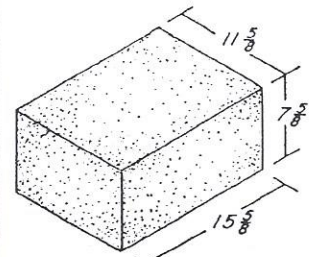
12x8x16 4-HR.

11



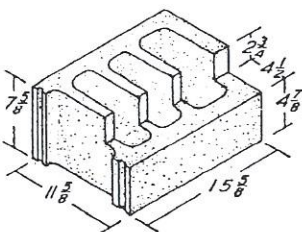
12x8x16 75% SOLID
 OPTIONS: S.C. TWO CORE
 STRETCHER

12



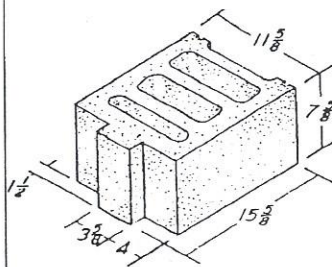
12x8x16 SOLID

13



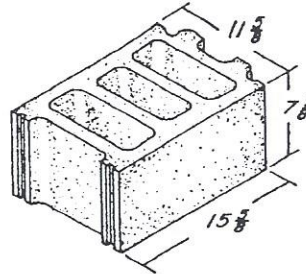
12x8x16 REG HDR

14



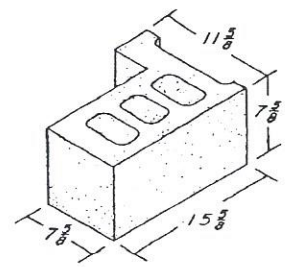
12x8x16 JAMB
 OPTION:
 * ONE END CLOSED

15



12x8x16 CONTROL JNT.

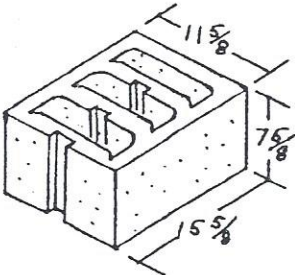
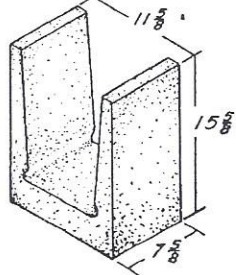
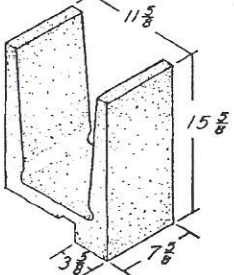
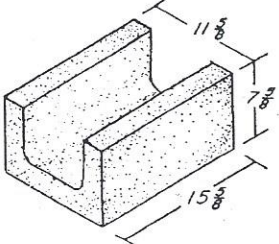
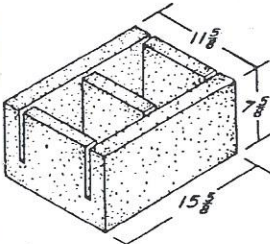
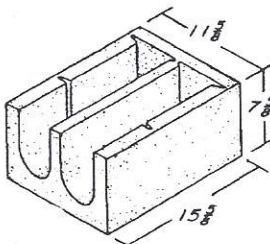
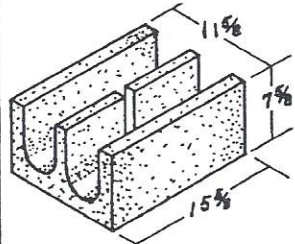
16



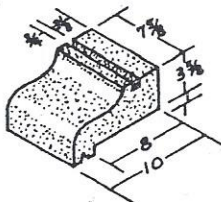
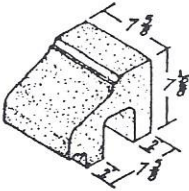
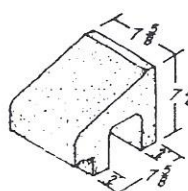
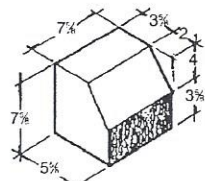
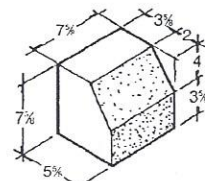
12x18x16 RET COR.
 OPTION:
 * RND. COR.

12'S

12'S

<p>01</p>	<p>02</p>  <p>12x8x16 CONDUIT</p>	<p>03</p>  <p>12x16x8 LINEL (D) OPTION: SASH</p>	<p>04</p>  <p>12x16x8 LINEL (DLO)</p>
<p>05</p>  <p>12x8x16 LINEL (U)</p>	<p>06</p>  <p>12x8x16 K.O. LINEL</p>	<p>07</p>  <p>12x8x16 LINEL (C)</p>	<p>08</p>  <p>12x8x16 LINEL (W) OPTION: * NO SLOT IN WEB</p>

SILLS & COPING

<p>09</p>  <p>4" HIGH SILL</p>	<p>10</p>  <p>8" HIGH SILL</p>	<p>11</p>  <p>8" HIGH SILL</p>	<p>12</p>
<p>NEW</p> <p>AVAILABLE</p>  <p>6x8x8 Split Sill or Jamb Block</p>	<p>NEW</p> <p>IN COLOR</p>  <p>6x8x8 Smooth Sill or Jamb Block</p>	<p>15</p>	<p>16</p>

PILASTERS & CHIMNEYS



<p>A.</p>	<p>01 & 02 8816-42 C.</p>	<p>03 PILASTER</p>
<p>"82" PILASTER (See Illustration in Manual, Page 44). FIRST COURSE & ALTERNATE COURSE OPTION: * ONE PIECE UNIT</p>		
<p>04</p>	<p>05 PILASTER</p>	<p>06 PILASTER</p>
<p>07 16x8x16 CHIMNEY OPTION: WITH 6" THIMBLE OPENING</p>	<p>08 16x8x16 CHIMNEY OPTION: WITH 6" THIMBLE OPENING</p>	<p>09 16x8x16 (FULL) CHIMNEY OPTION: WITH 6" THIMBLE OPENING</p>
<p>10 Chimney Block for 8 x 12 flue liner</p>	<p>11 17x8x17 OPTION: * MODULAR UNITS OF 6x8x16</p>	<p>12 17x8x17 CHIMNEY</p>

CONCRETE MASONRY PAVING BLOCKS



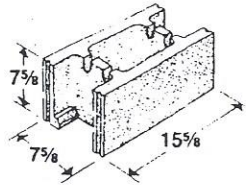
<p>01</p> <p>24x4x16 TURFSTONE PAVING & EROSION CONTROL BLOCK</p>	<p>02</p> <p>TURFSTONE</p>	<p>04</p> <p>GRASSPAVERS</p>	
<p>05</p> <p>MUNICH II</p>	<p>06</p> <p>Z PAVER</p>	<p>07</p> <p>FINETTA 6x3x8 INTERLOCKING PAVER</p>	<p>08</p> <p>WAVESTONE</p>

SOUND CONTROL BLOCKS

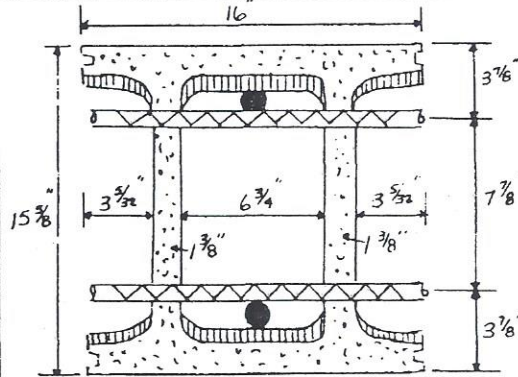
<p>09</p> <p>4x8x16 SOUNDBLOSS TYPE R</p>	<p>10</p> <p>6x8x16 SOUNDBLOSS TYPE R</p>	<p>11</p> <p>8x8x16 SOUNDBLOSS TYPE R</p>	<p>12</p> <p>12x8x16 SOUNDBLOSS TYPE R</p>
<p>13</p> <p>8x8x16 SOUNDBLOSS TYPE RR</p>	<p>14</p> <p>8x8x16 SOUNDBLOSS TYPE RSR</p>	<p>15</p> <p>8x8x16 SOUNDBLOSS TYPE Q</p>	<p>16</p>
<p>17</p> <p>4x8x16 SOUNDBLOSS TYPE A-1</p>	<p>18</p> <p>6x8x16 SOUNDBLOSS TYPE A-1</p>	<p>19</p> <p>8x8x16 SOUNDBLOSS TYPE A-1</p>	<p>20</p>

REINFORCED MASONRY WALL BLOCKS

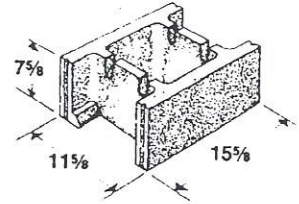
CCMA



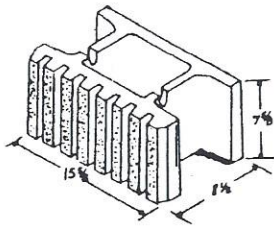
8" Ivany



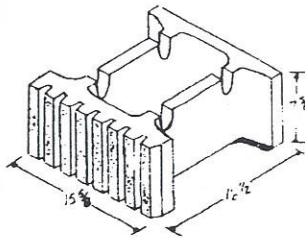
16x8x16 IVANY® RETAINING & BASEMENT WALL SYSTEM
+ 1/2x8x16
+ 8x8x16
Lip places vertical steel in correct position.



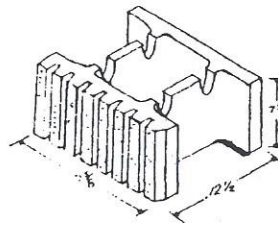
12" Ivany



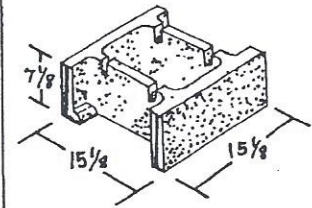
8x8x16 SPLT. RIB IVANY® -8



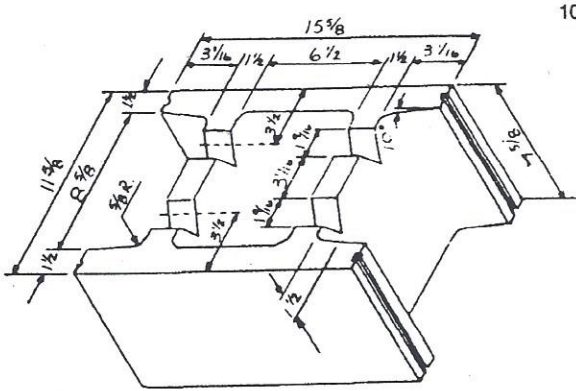
12x8x16 SPLT. RIB IVANY® -8



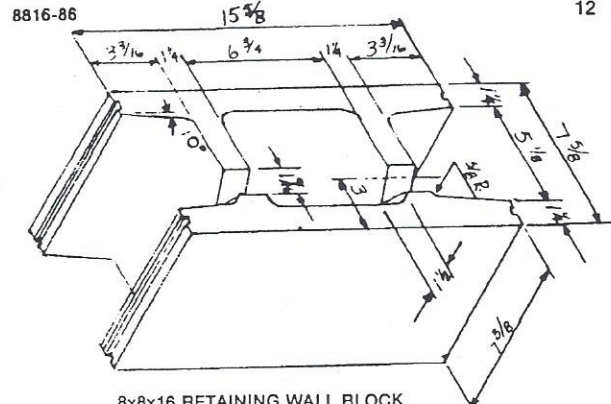
16x8x16 IVANY® -8



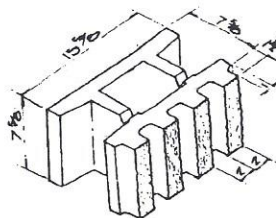
16" Ivany Block



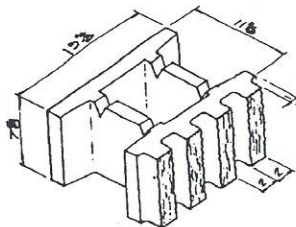
12x8x16 RETAINING WALL BLOCK



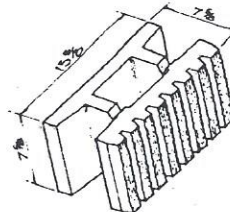
8x8x16 RETAINING WALL BLOCK



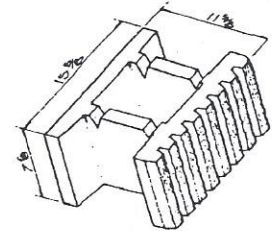
#44B FLUTED RETAINING WALL BLOCK
SIZE 9 1/8x8x16



#44B FLUTED RETAINING WALL BLOCK
SIZE 13 1/8x8x16



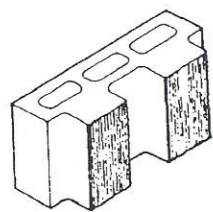
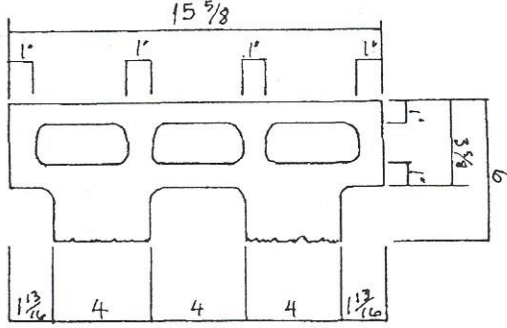
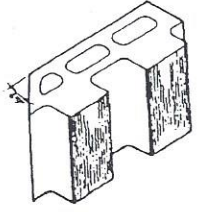
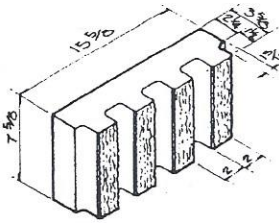
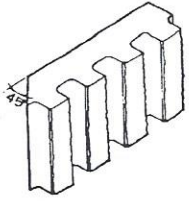
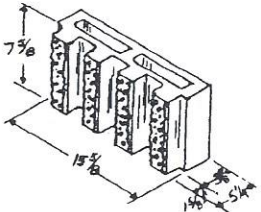
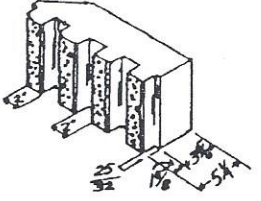
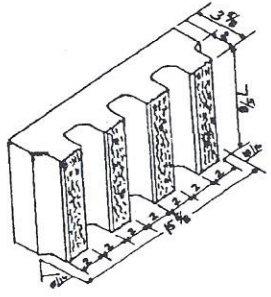
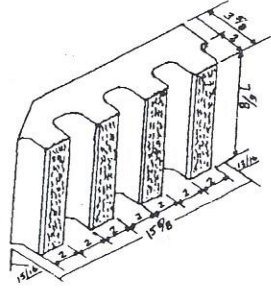
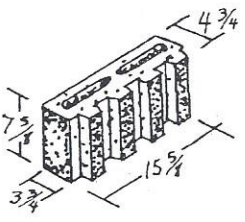
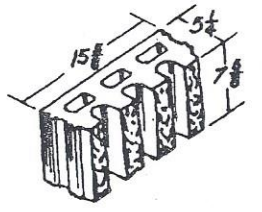
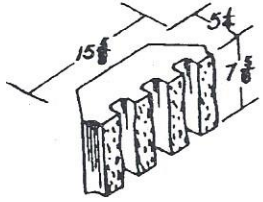
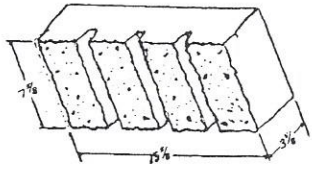
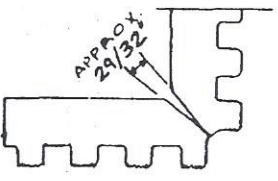
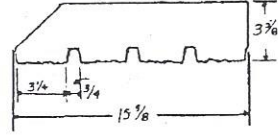
#88 FLUTED RETAINING WALL BLOCK
SIZE 8x8x16



#88 FLUTED RETAINING WALL BLOCK
SIZE 12x8x16

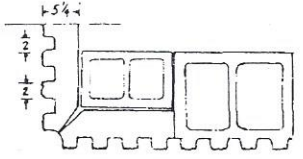
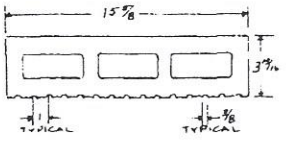
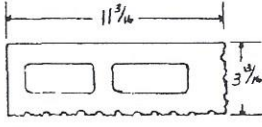
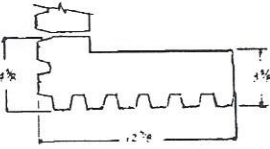
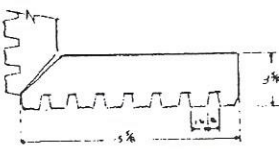
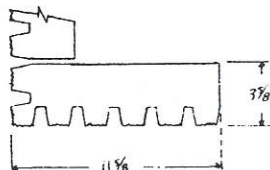
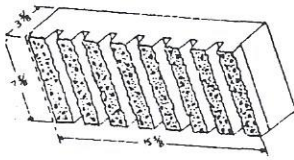
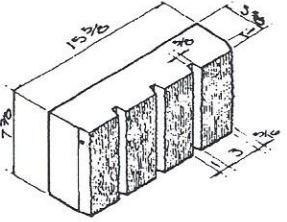
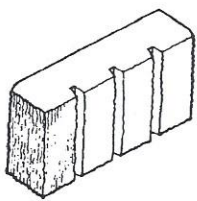
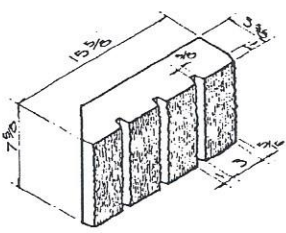
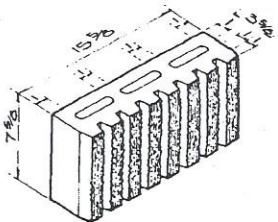
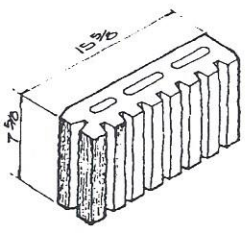
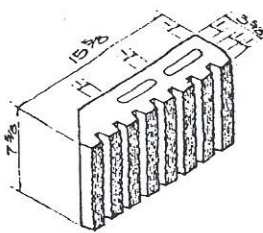
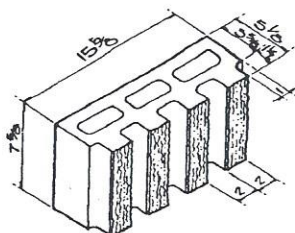
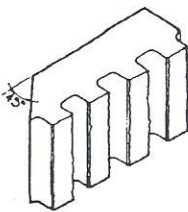
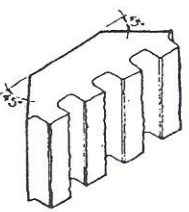
SPLIT FLUTED BLOCKS

CCMA

<p>1</p>  <p>#22 FLUTED SPLIT SIZE 4x8x16</p>	<p>3</p>  <p>#22 FLUTED SPLIT (PLAN) SIZE 4x8x16</p>	<p>4</p>  <p>#22 FLUTED SPLIT CORNER SIZE 4x8x16</p>	
<p>5</p>  <p>#44 FLUTED BLOCK SIZE 4x8x16</p>	<p>6</p>  <p>#FLUTED CORNER SIZE 4x8x16</p>	<p>7</p>  <p>4x8x16 SPLIT. RIB-4</p>	<p>8</p>  <p>4x8x16 SR-4-MC</p>
<p>9</p>  <p>4x8x16 SPLIT. RIB-4</p>	<p>10</p>  <p>4x8x16 SPLIT. RIB M.C.</p>	<p>11</p>  <p>4" FLUTED BLOCK</p>	<p>12</p>  <p>4x8x16 SPLIT FLUTED</p>
<p>13</p>  <p>4x8x16 SPLIT. RIB FLT. DC</p>	<p>14</p>  <p>4x8x16 SPLIT. RIB W.F.</p>	<p>15</p>  <p>4x8x16 External Cor. (illus.) Note: The vertical mortar joint does not show through on the flute side.</p>	<p>16</p>  <p>4x8x16 SPLIT RIB. W.F.M.C.</p>

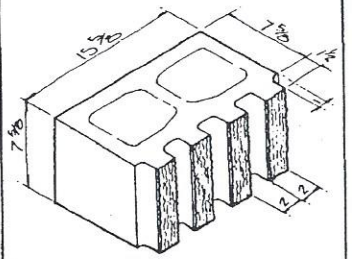
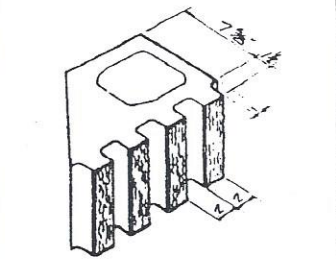
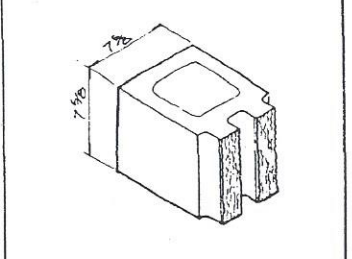
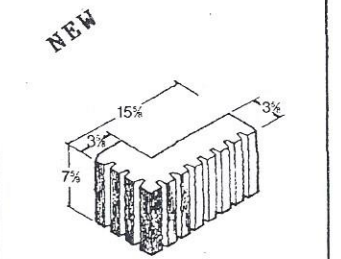
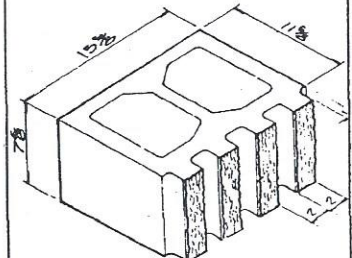
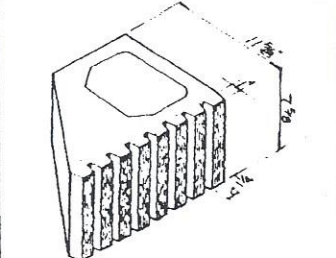
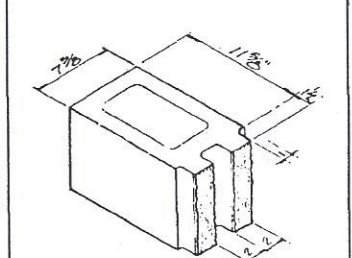
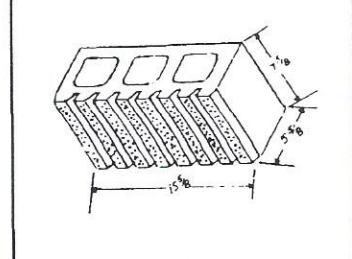
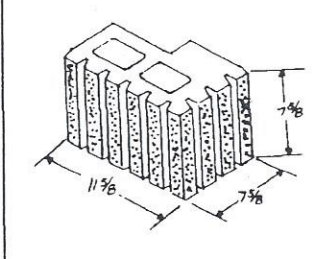
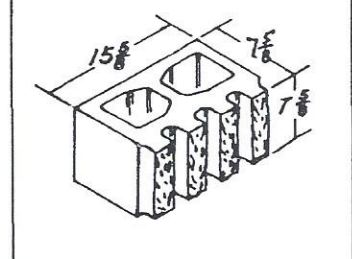
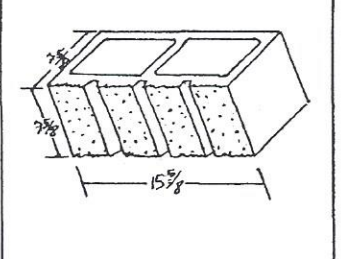
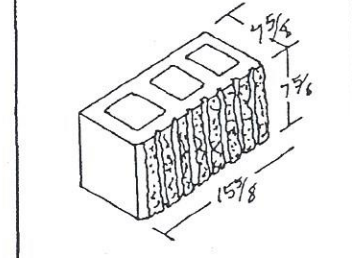
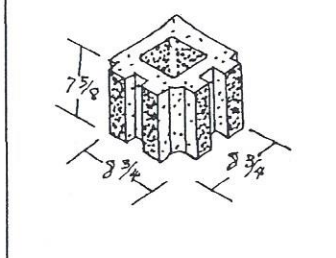
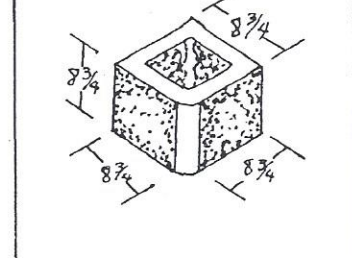
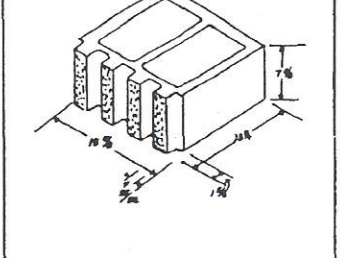
SPLIT FLUTED BLOCKS

CCMA

<p>1</p>  <p>4x8x16 SPLIT. RIB-16</p>	<p>2</p>  <p>4x8x12 SPLIT. RIB COR.-16</p>	<p>3</p>  <p>4x8x13 RET. COR.-8</p>	<p>4</p>  <p>4x8x16 EXT. M.C.-8</p>
<p>5</p>  <p>4x8x16 EXT. M.C.-8</p>	<p>6</p>  <p>4x8x12 END COR.-8</p>	<p>7</p>  <p>4x8x16 SPLIT. RIB-8</p>	<p>8</p>  <p>#44W FLUTED BLOCK SIZE 4x8x16</p>
<p>9</p>  <p>#44W FLUTED CORNER SIZE 4x8x16</p>	<p>10</p>  <p>#44W FLUTED CORNER SIZE 4x8x16</p>	<p>11</p>  <p>#88 FLUTED CORNER SIZE 4x8x16</p>	<p>12</p>  <p>#88 FLUTED BLOCK SIZE 4x8x16</p>
<p>13</p>  <p>#88 FLUTED 45° CORNER SIZE 4x8x16</p>	<p>14</p>  <p>#88 FLUTED BLOCK SIZE 5 1/8x8x16</p>	<p>15</p>  <p>#44B FLUTED CORNER SIZE 5 1/8x8x16</p>	<p>16</p>  <p>#44B FLUTED CORNER DOUBLE 45° CORNER SIZE 5 1/8x8x16</p>

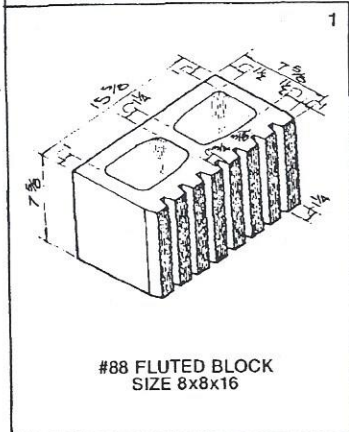
SPLIT FLUTED BLOCKS

CCMA

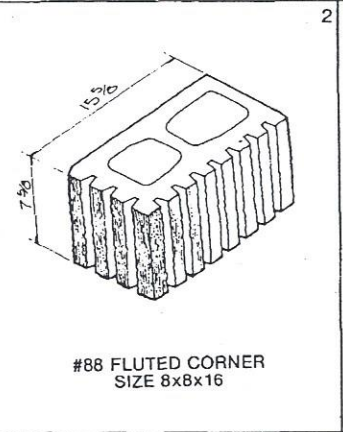
<p>1</p>  <p>#44B FLUTED REG. SIZE 9 1/8x8x16</p>	<p>2</p>  <p>#44B FLUTED 45° CORNER SIZE 9 1/8x8x16</p>	<p>3</p>  <p>#44B FLUTED HALF BLOCK SIZE 9 1/8x8x8</p>	<p>4</p> <p>NEW</p>  <p>4x8x16 #88 w/8" Return Corner</p>
<p>5</p>  <p>#44B FLUTED REG. SIZE 13 1/8x8x16</p>	<p>6</p>  <p>#44B FLUTED 45° CORNER SIZE 13 1/8x8x16</p>	<p>7</p>  <p>#44B FLUTED HALF BLOCK SIZE 13 1/8x8x8</p>	<p>8</p>
<p>9</p>  <p>6x8x16 SPLIT RIB-8</p>	<p>10</p>  <p>6x8x12 SPLIT RIB COR-8</p>	<p>11</p>  <p>8x8x16 SPLIT FLUTED</p>	<p>12</p>  <p>8x8x16 SPLIT RIB.W.F.-4</p>
<p>13</p>  <p>8x8x16 SPLIT RIB-8</p>	<p>14</p>  <p>8" FLUTED OUTSIDE CORNER BLOCK</p>	<p>15</p>  <p>8" FLUTED INSIDE CORNER BLOCK</p>	<p>16</p>  <p>12x8x16 SPLIT RIB-4</p>

SPLIT FLUTED BLOCKS

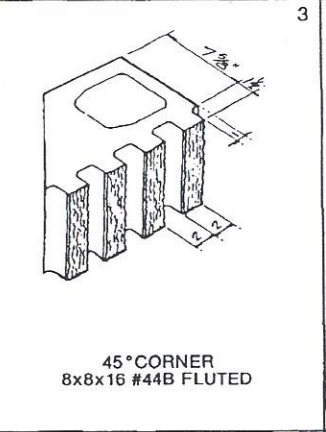
CCTMA



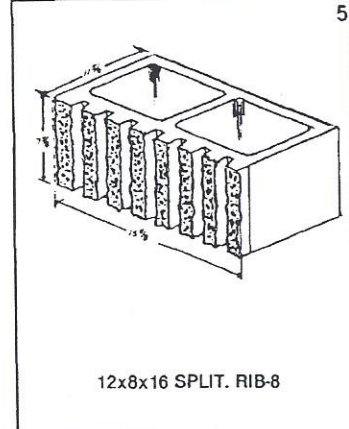
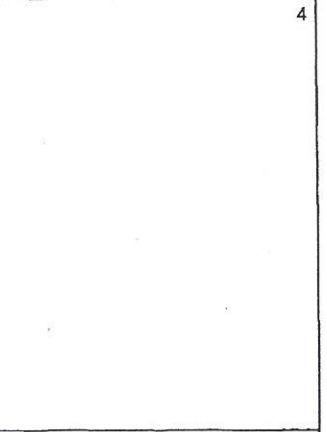
#88 FLUTED BLOCK
SIZE 8x8x16



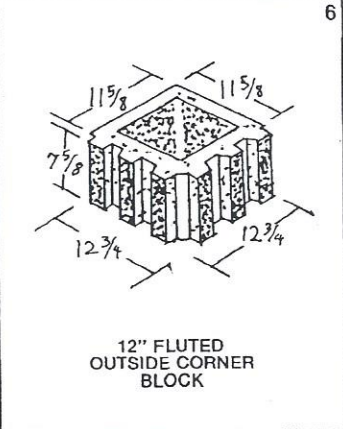
#88 FLUTED CORNER
SIZE 8x8x16



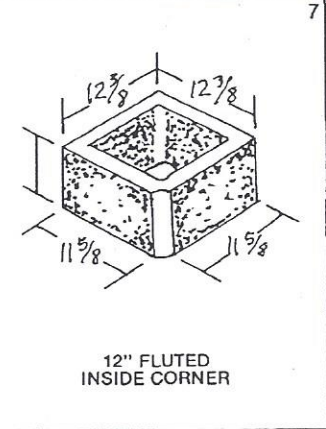
45° CORNER
8x8x16 #44B FLUTED



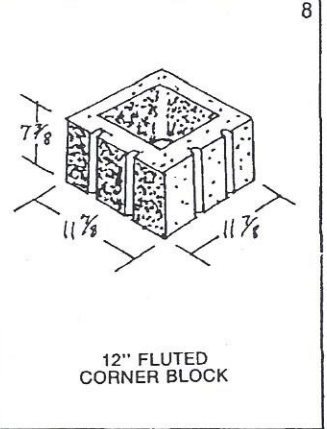
12x8x16 SPLIT. RIB-8



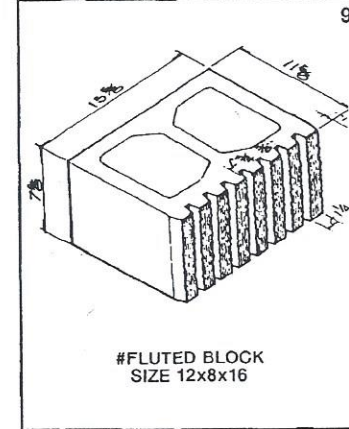
12" FLUTED
OUTSIDE CORNER
BLOCK



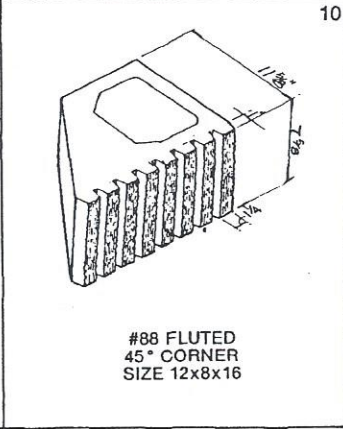
12" FLUTED
INSIDE CORNER



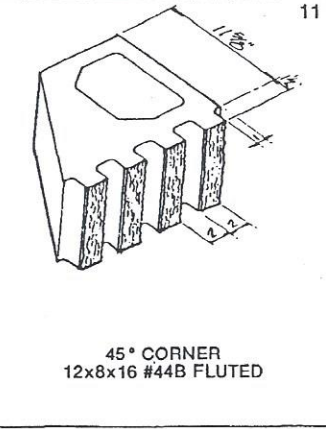
12" FLUTED
CORNER BLOCK



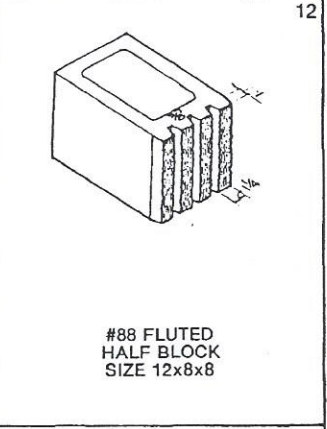
FLUTED BLOCK
SIZE 12x8x16



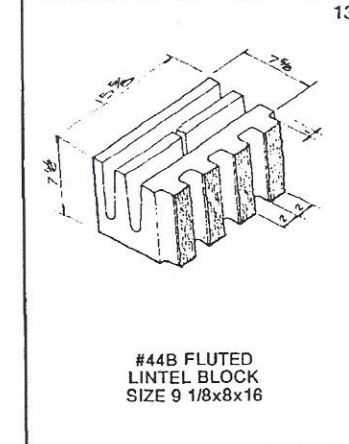
#88 FLUTED
45° CORNER
SIZE 12x8x16



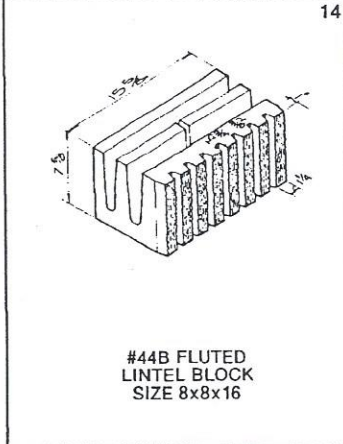
45° CORNER
12x8x16 #44B FLUTED



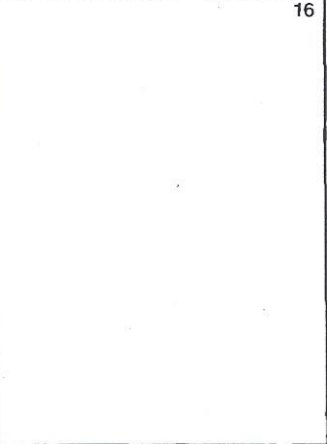
#88 FLUTED
HALF BLOCK
SIZE 12x8x8



#44B FLUTED
LINTEL BLOCK
SIZE 9 1/8x8x16

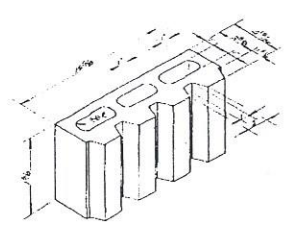
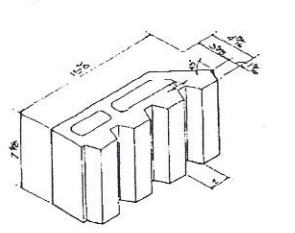
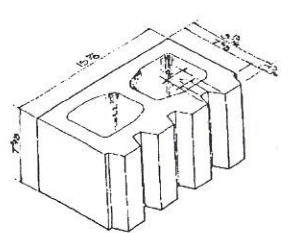
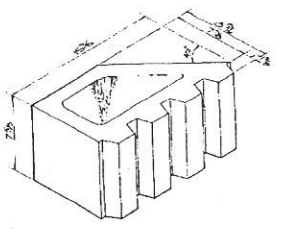
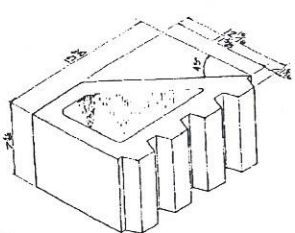
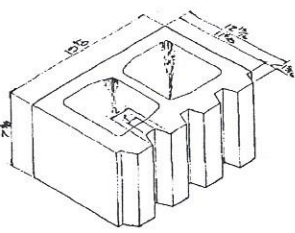


#44B FLUTED
LINTEL BLOCK
SIZE 8x8x16

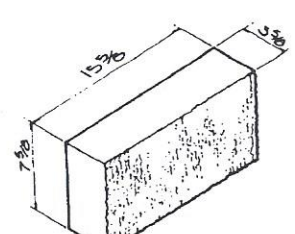
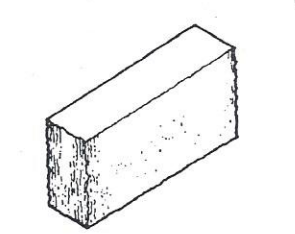
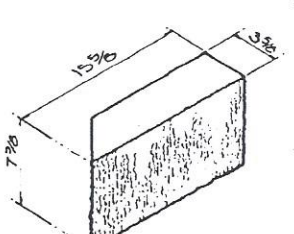
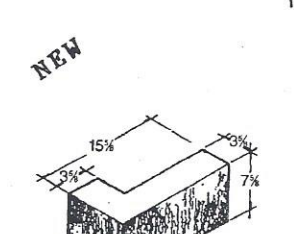
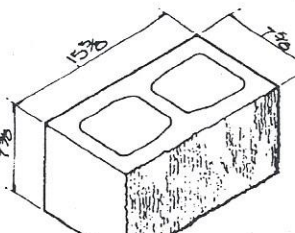
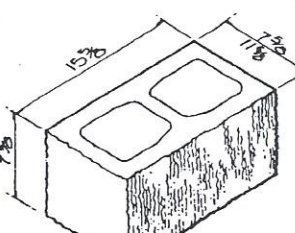
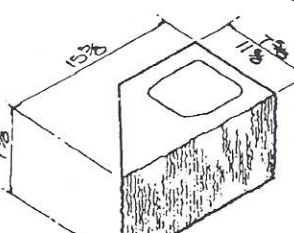
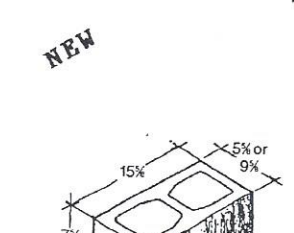


SCULPTURED BLOCKS



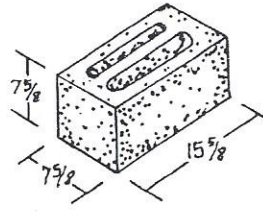
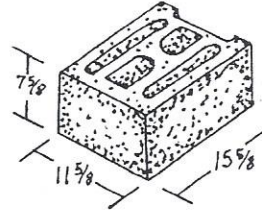
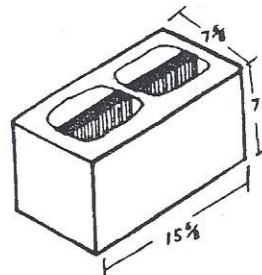
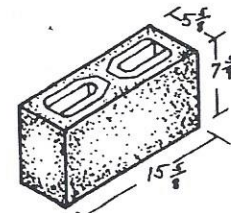
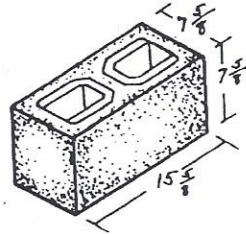
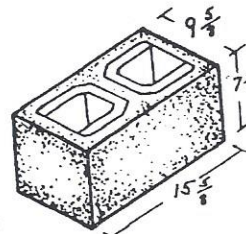
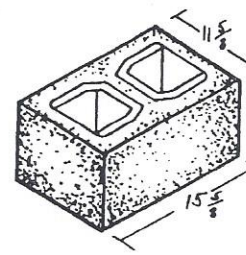
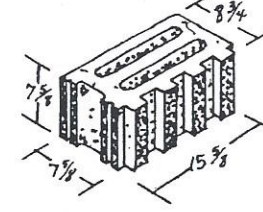
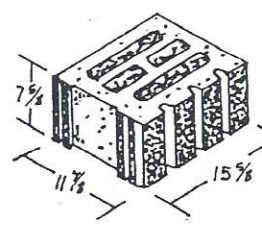
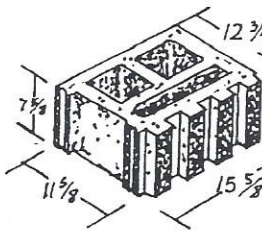
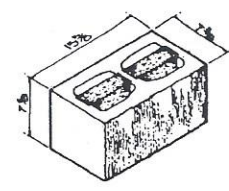
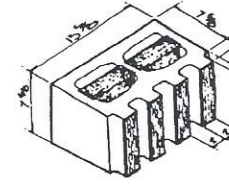
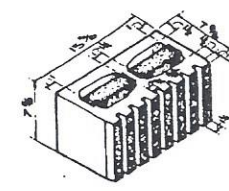
<p>1</p>  <p>SCULPTURED FLUTED 4x8x16, #44S</p>	<p>2</p>  <p>SCULPTURED 45° CORNER 4x8x16, #44S</p>	<p>3</p>  <p>#44S SCULPTURED 8x8x16</p>	<p>4</p>  <p>#44S SCULPTURED 45° CORNER 8x8x16</p>
<p>5</p>  <p>#44S SCULPTURED 45° CORNER 12x8x16</p>	<p>6</p>  <p>#44S SCULPTURED 12x8x16</p>		

SPLIT FACE BLOCK

<p>9</p>  <p>#44SL SPLIT FACE BLOCK SIZE 4x8x16</p>	<p>10</p>  <p>#48SL SPLIT FACE CORNER SIZE 4x8x16</p>	<p>11</p>  <p>#48 SL SPLIT FACE 45° CORNER SIZE 4x8x16</p>	<p>12</p> <p>NEW</p>  <p>4x8x16 Split w/8" Return Corner</p>
<p>13</p>  <p>#88SL SPLIT FACE BLOCK SIZE 8x8x16 12x8x16</p>	<p>14</p>  <p>#88SL SPLIT FACE CORNER SIZE 8x8x16 12x8x16</p>	<p>15</p>  <p>#88SL SPLIT FACE 45° CORNER SIZE 8x8x16 12x8x16</p>	<p>16</p> <p>NEW</p>  <p>6" or 10" Split Face</p>

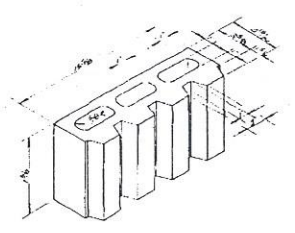
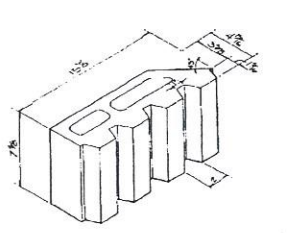
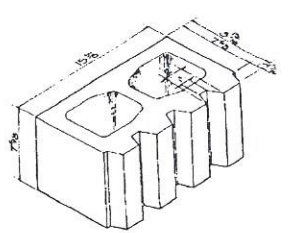
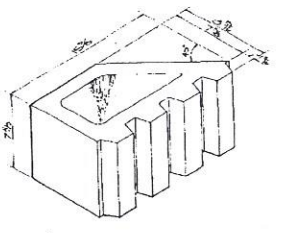
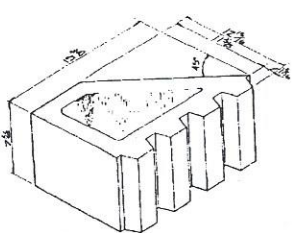
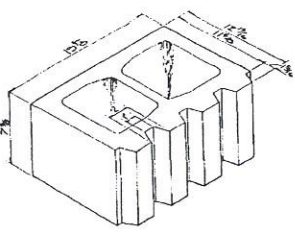
INSULATED BLOCKS

CCMA

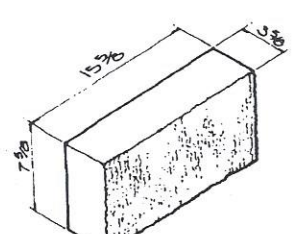
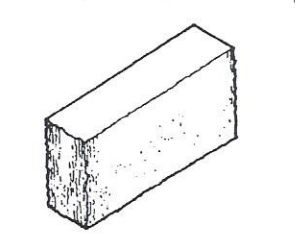
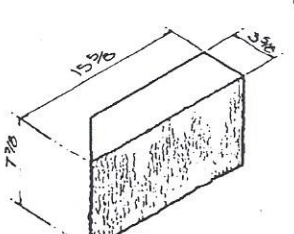
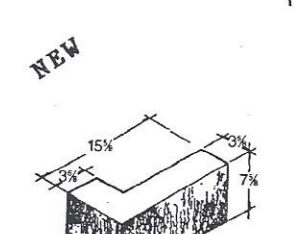
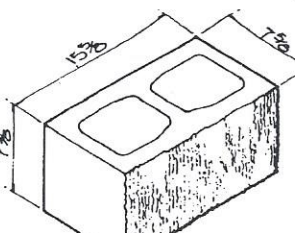
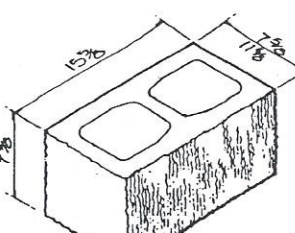
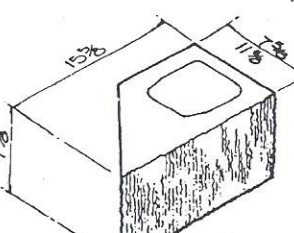
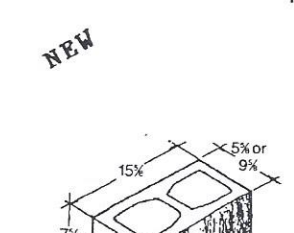
<p>1</p>  <p>8" INSULATED</p>	<p>2</p>  <p>12" INSULATED</p>	<p>3</p>  <p>8x8x16 INSULATED</p>	<p>4</p>
<p>5</p>  <p>6x8x16 INSTALLED WITH KORFIL</p>	<p>6</p>  <p>8x8x16 INSTALLED WITH KORFIL</p>	<p>7</p>  <p>10x8x16 INSTALLED WITH KORFIL</p>	<p>8</p>  <p>12x8x16 INSTALLED WITH KORFIL</p>
<p>9</p>  <p>8" INSULATED FLUTED BLOCK #423</p>	<p>10</p>  <p>12" FLUTED INSULATED BLOCK #487</p>	<p>11</p>  <p>12" INSULATED FLUTED BLOCK #460</p>	<p>12</p>
<p>13</p>  <p>#88 SL SPLIT FACE INSULATED size 12x8x16 8x8x16 also available in corner units</p>	<p>14</p>  <p>#44B FLUTED INSULATED SIZE 12x8x16 8x8x16</p>	<p>15</p>  <p>#88 FLUTED INSULATED SIZE 8x8x16 12x8x16</p>	

SCULPTURED BLOCKS



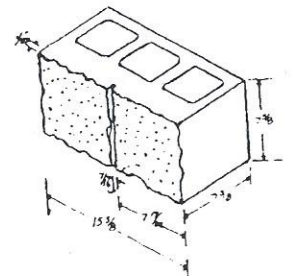
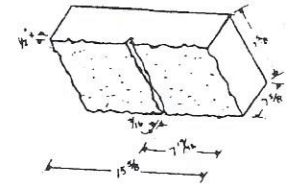
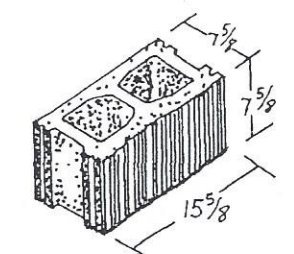
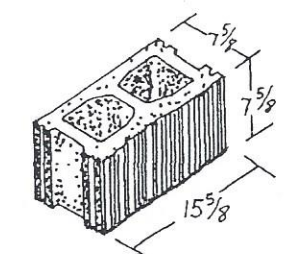
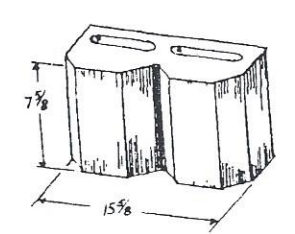
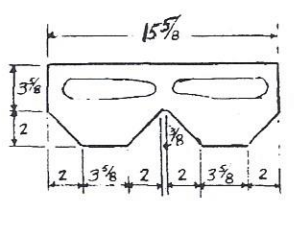
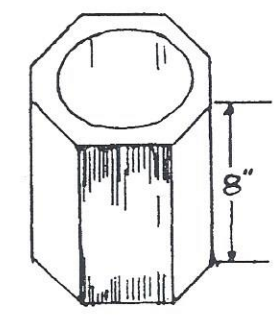
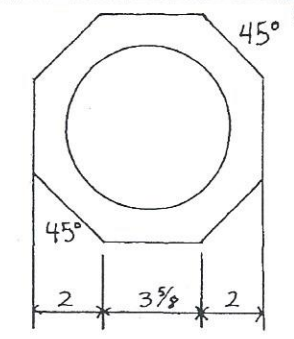
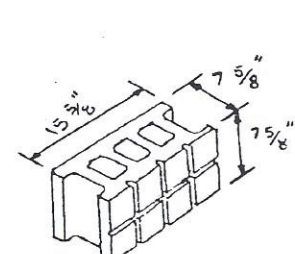
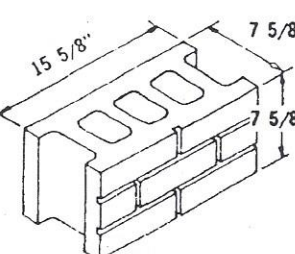
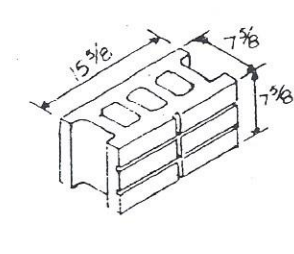
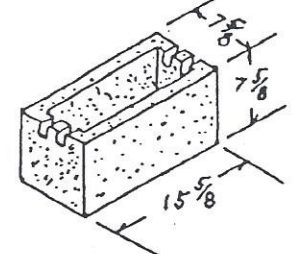
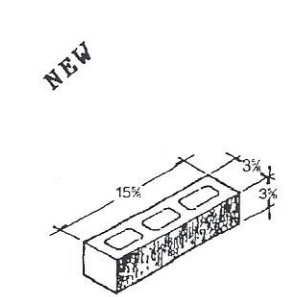
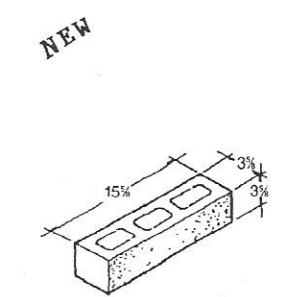
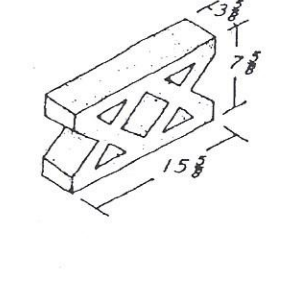
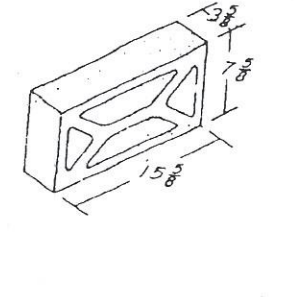
<p>1</p>  <p>SCULPTURED FLUTED 4x8x16, #44S</p>	<p>2</p>  <p>SCULPTURED 45° CORNER 4x8x16, #44S</p>	<p>3</p>  <p>#44S SCULPTURED 8x8x16</p>	<p>4</p>  <p>#44S SCULPTURED 45° CORNER 8x8x16</p>
<p>5</p>  <p>#44S SCULPTURED 45° CORNER 12x8x16</p>	<p>6</p>  <p>#44S SCULPTURED 12x8x16</p>		

SPLIT FACE BLOCK

<p>9</p>  <p>#44SL SPLIT FACE BLOCK SIZE 4x8x16</p>	<p>10</p>  <p>#48SL SPLIT FACE CORNER SIZE 4x8x16</p>	<p>11</p>  <p>#48 SL SPLIT FACE 45° CORNER SIZE 4x8x16</p>	<p>12</p> <p>NEW</p>  <p>4x8x16 Split w/8" Return Corner</p>
<p>13</p>  <p>#88SL SPLIT FACE BLOCK SIZE 8x8x16 12x8x16</p>	<p>14</p>  <p>#88SL SPLIT FACE CORNER SIZE 8x8x16</p>	<p>15</p>  <p>#88SL SPLIT FACE 45° CORNER SIZE 8x8x16 12x8x16</p>	<p>16</p> <p>NEW</p>  <p>6" or 10" Split Face</p>

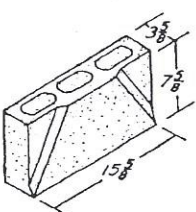
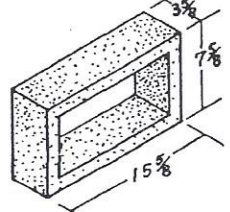
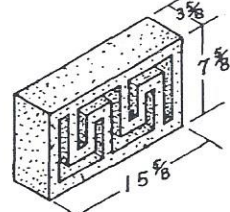
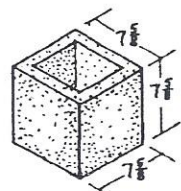
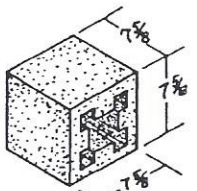
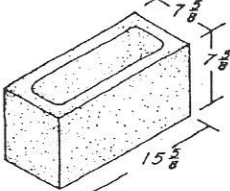
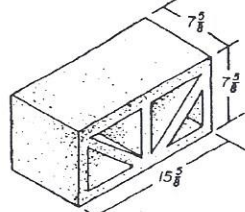
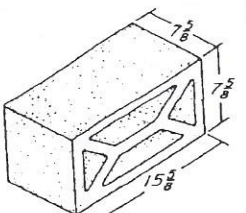
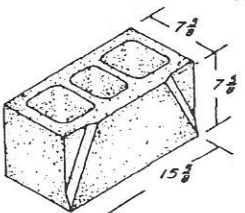
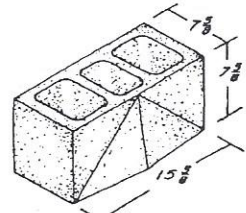
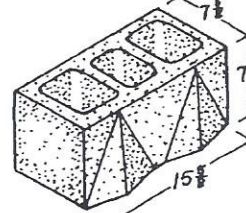
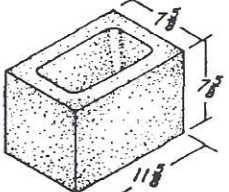
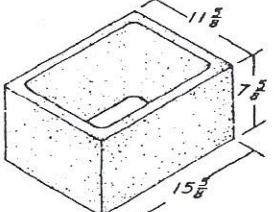
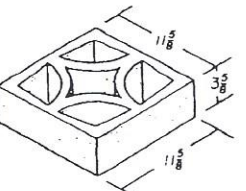
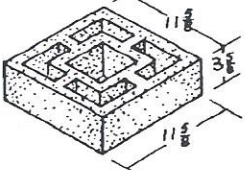
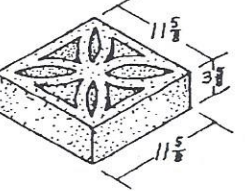
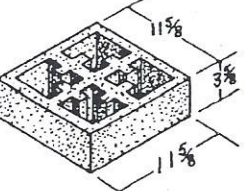
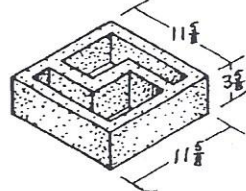
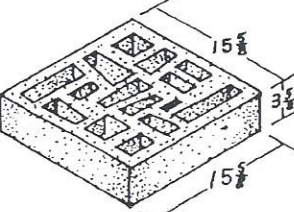
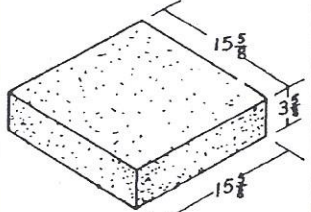
MISC. CUSTOMIZED BLOCKS



<p>1</p>  <p>8x8x16 SCD SPLIT.</p>	<p>2</p>  <p>4x8x16 SCD. SPLIT. SLD.</p>	<p>3</p>  <p>8x8x16 STRI-FACE</p>	<p>4</p>  <p>8x8x16 STRI-FACE</p>
<p>5</p>  <p>4x8x16 REG. HEX</p>	<p>6</p>  <p>4x8x16 REG. HEX</p>	<p>7</p>  <p>8x8x8 HEX COR.</p>	<p>8</p>  <p>8x8x8 HEX COR.</p>
<p>9</p>  <p>8x8x16 EMBOSSED (4x4 Face) Note: Available in various widths *4x8x16 + 12x8x16</p>	<p>10</p>  <p>8x8x16 EMBOSSED RUNNING BOND BRICK FACE Note: Available in various widths *4x8x16 + 12x8x16</p>	<p>11</p>  <p>8x8x16 EMBOSSED STACKED PATTERN BRICK FACE Note: Available in various widths *4x8x16 + 12x8x16</p>	<p>12</p>  <p>POOL BLOCK</p>
<p>13</p> <p>NEW</p>  <p>4x4x16 Split Half High</p>	<p>14</p> <p>NEW</p>  <p>4x4x16 Smooth Half High</p>	<p>15</p>  <p>FENCE BLOCK</p>	<p>16</p>  <p>FENCE BLOCK</p>

DESIGN BLOCK

CCTMA

<p>01</p>  <p>8x4x16 SHADOWAL</p>	<p>02</p>  <p>8x4x16 1-CORE</p>	<p>03</p>  <p>8x4x16</p>	<p>04</p>  <p>8x8x8 HALF</p>
<p>05</p>  <p>8x8x8 HALF</p>	<p>06</p>  <p>8x8x16 1-CORE</p>	<p>07</p>  <p>8x8x16</p>	<p>08</p>  <p>8x8x16 OPTION: 8x4x16</p>
<p>09</p>  <p>8x8x16 SHADOWAL OPTION: LEFT & RIGHT 12x8x16</p>	<p>10</p>  <p>8x8x16 HI-LITE I OPTION: * LEFT & RIGHTS 6" 8" 12" WIDTHS</p>	<p>11</p>  <p>8x8x16 HI-LITE II OPTION: LEFT & RIGHTS 6" 8" 12" WIDTHS</p>	<p>12</p>  <p>8x8x12 1-CORE 3/4</p>
<p>13</p>  <p>12x8x16 1-CORE</p>	<p>14</p>  <p>12x4x12</p>	<p>15</p>  <p>12x4x12</p>	<p>16</p>  <p>12x4x12</p>
<p>17</p>  <p>12x4x12</p>	<p>18</p>  <p>12x4x12</p>	<p>19</p>  <p>16x4x16</p>	<p>20</p>  <p>16x4x16 SOLID</p>